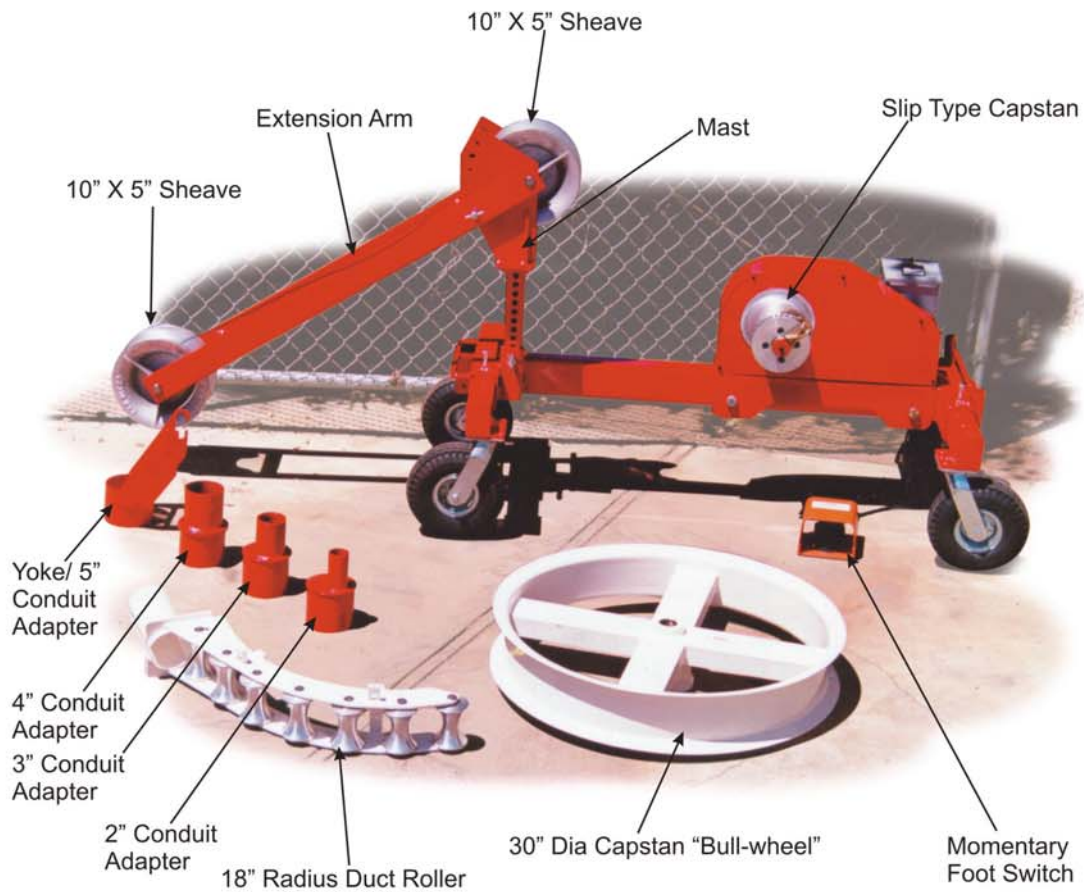


# HIS CABLE PULLER

## Model H-1,000-FO/C

**Congratulations** on your selection of the **HIS Fiber Optic Cable Puller**. This completely self contained, portable unit is designed to give you long, economical, trouble-free service when used properly. Please read this **User's Guide** before operating the unit.



**HIS BUSINESS MFG. CO.** ■ (619) 447-0009 ■ (800) 292-9831 ■ (619) 447-4695 FAX  
1180 No. Johnson Ave. El Cajon, CA 92020 [http:// www.hizbiz.com](http://www.hizbiz.com) email: [sales@hizbiz.com](mailto:sales@hizbiz.com)

# HIS Fiber Optic Cable Puller

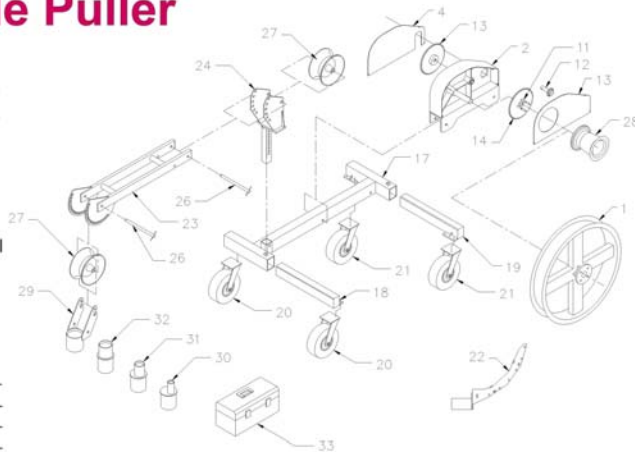
Model H-1000-FO/C

Serial No.: \_\_\_\_\_

Purchase Date: \_\_\_\_\_

**Warranty:** His Business Mfg. Co. Warrants to the purchaser of His Cable Puller that if any assembly part thereof (with the exception of the Drive Motor) in the judgement of the manufacturer is proven to be defective in material or workmanship within (1) one year of original purchase date, such defects will be repaired or replaced (at manufacturer's option) free of charge for parts and labor. Drive Motor is warranted separately by manufacturer.

**Notes:** \_\_\_\_\_  
 \_\_\_\_\_  
 \_\_\_\_\_  
 \_\_\_\_\_



ITEM NO.	PART NO.	DESCRIPTION	QTY	ITEM NO.	PART NO.	DESCRIPTION	QTY
<b>H-1000-FO STANDARD COMPONENTS</b>				<b>H-1000-C ADDITIONAL COMPONENTS</b>			
1	H014-17	30" DIA CAPSTAN BULLWHEEL	1	18	H012-03	LEG EXTENSION, FRONT	1
2	H014-03	POWER PACK HOUSING	1	19	H012-29	LEG EXTENSION, REAR	1
3	H011-31	COVER PLATE, CAPSTAN SIDE	1	20	H012-04	WHEELS, FRONT SWIVEL	2
4	H011-32	COVER PLATE, MOTOR SIDE	1	21	H012-01	WHEELS, REAR FIXED	2
5	H011-01	AMMETER, 100V-25A	1	22	H014-01	18" RADIUS DUCT ROLLER	1
6	H011-02	FOOT SWITCH, 110V-20A DPST	1	<b>H-1000-C ADDITIONAL COMPONENTS</b>			
7	H011-03	GUARD, 2W811	1	23	H011-01	FRAME EXTENSION, 3',4' OR 5'	1
8	H011-04	POWER CORD, 12/3X6'	1	24	H014-23	MAST	1
9	H011-39	TOGGLE SWITCH, 110V-20A DPDT	1	25	H014-02	AXLES, .75 DIA	2
10	H011-10	SPROCKET, CAPSTAN	1	26	H014-15	LOCKING PINS, .75 DIA	2
11	H013-13	DRIVE PINS	4	27	H014-16	SHEAVES, #HS-10X5	2
12	H011-06	TRANSFER SHAFT & SPROCKET	1	28	H011-01	CAPSTAN, SLIP TYPE	1
13	H011-15	SPROCKET, TRANSFER, MOTOR SIDE	1	29	H014-18	YOKE/5" ADAPTER	1
14	H011-09	SPROCKET MOTOR	1	30	H014-19	CONDUIT ADAPTER, 2"	1
15	H011-07	DRIVE CHAIN, MOTOR	1	31	H014-20	CONDUIT ADAPTER, 3"	1
16	H011-36	DRIVE CHAIN, CAPSTAN	1	32	H014-21	CONDUIT ADAPTER, 4"	1
17	H012-00	FRAME ASSY, BASIC	1	33	H014-22	TOOL BOX	1

**HIS BUSINESS MFG. CO.**  
 (619) 447-0009  
 (800) 292-9831  
 (619) 447-4695 FAX  
 1180 No. Johnson Ave.  
 El Cajon, CA 92020  
 http://www.hisbiz.com  
 email: sales@hisbiz.com