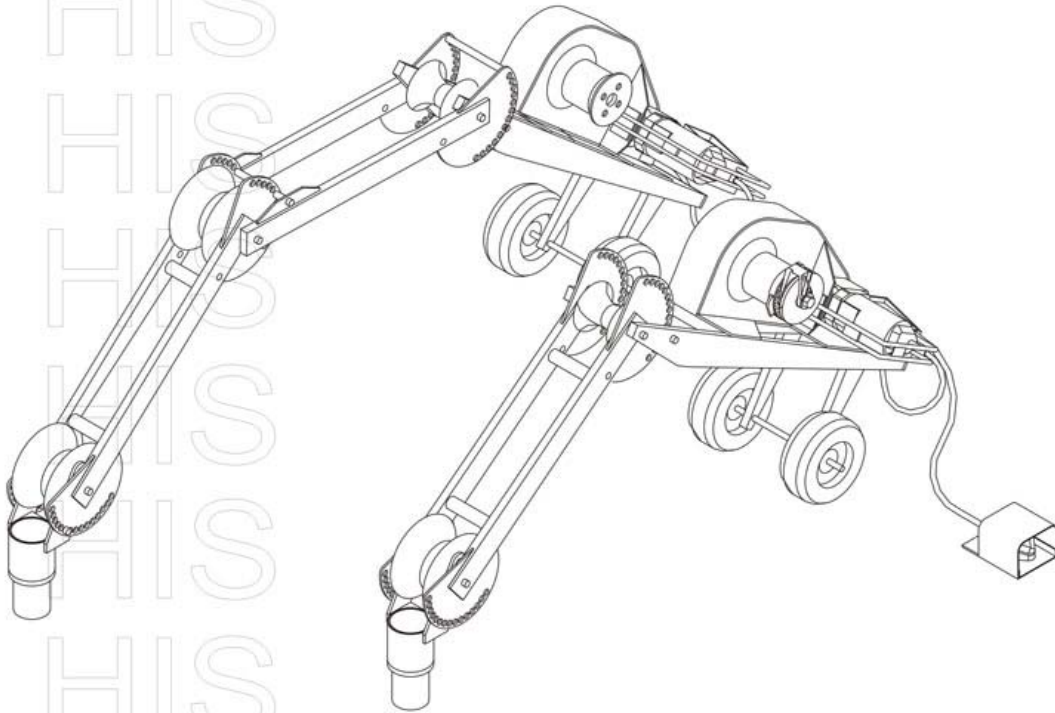


# HIS

# CABLE PULLERS

---

## USER'S GUIDE



**MODEL No.: H6000**

**H6000 DLX**

**H6000 PG&E**



Manufacturers of Equipment for the Electrical  
and Telecommunications Industries.

# Set-Up and Use Instructions:



1. Select proper size conduit adapter for duct or conduit. Check fit.
2. Insert conduit adapter into pulling yoke. Tighten thumbscrew.
3. Thread pull-rope through conduit adapter and pull yoke.
4. Insert conduit adapter and yoke into conduit or duct.
5. Position cable puller and adjust frame into proper pulling position. Rope should thread under and/or over sheaves as required. See diagrams. As rope passes over sheave at an angle, it will help hold the puller down. set puller (End-Sheave Axle) into yoke, which is in conduit or duct.

Note: When ever possible, use a safety chain or anchor to hold puller down, in addition to conduit adapter/yoke mounted in conduit or duct.



6. Wrap rope around capstan, in clockwise rotation, several times. Each successive wrap reduces tailing tension and increases pulling capacity.

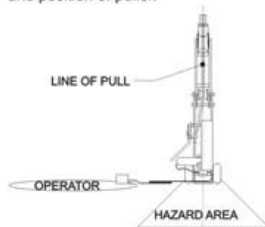


7. Before turning puller on: check power supply. Recommended minimum of 3500 watts. Second check locking pins, rope sheaves, and position of puller.



8. Set pulling speed. Start pull in low speed. Test stability of puller set-up. Turn puller toggle-switch on. This will make the capstan turn and start pulling cable. Check stability of puller with low pulling load. Make adjustments to puller set-up, alignment and security as needed. Light cable can be pulled in high-speed. As pulling load increases, pulling speed will reduce.

Note: When pulling speed slows due to too much load, it is recommended to switch to low speed to protect drive motor. This is changed at operator's judgment.



Operator should stand off to the side of puller at approximately 45 degree angle to the line of pull. Stay clear of the hazard area.

## CAUTION:

1. Never stand on or near the coiled pulling ropes it lays on the ground.
2. ALWAYS PAY CLOSE ATTENTION TO CABLE PULLING. NEVER LET ANYONE OR ANYTHING DISTRACT OPERATION, UNLESS AN EMERGENCY SITUATION OCCURS.
3. THINK SAFETY, SAFETY, SAFETY
4. Never use in water or in dangerous environments.
5. After pull is completed. Dismount puller, clean-up and inspect before storing.



**HIS Business Manufacturing Company**  
 Tel (619) 447-0009 (800) 292-9831 Fax (619) 447-4695  
 Website [www.hizbiz.com](http://www.hizbiz.com) Email [sales@hizbiz.com](mailto:sales@hizbiz.com)

# HIS CABLE PULLER

## MODEL H6000 STD & DLX

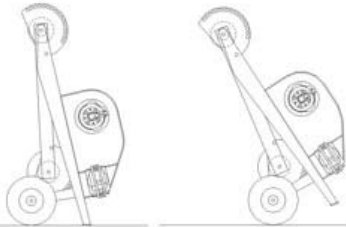
**HIS Cable Puller** is uniquely designed to help make cable installation easier and less costly. The "One-Man Operation" concept means that one person can transport easily, set up quickly and pull cable efficiently.

**His Cable Puller** is designed for productivity and safety. Always understand the function of HIS Cable Puller before operating. Only experienced journeymen should operate cable pulling equipment.

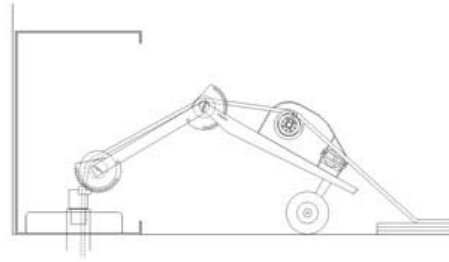
### FEATURES OF HIS PULLER

- *Self Tailing Capstan*
- *Two-speed drive motor*
- *Self-contained frame with wheels and sheaves*
- *Conduit adapters & yoke*
- *Pulling capacities: High speed: 2500 lbs.,  
Low speed: 6500 lbs.*

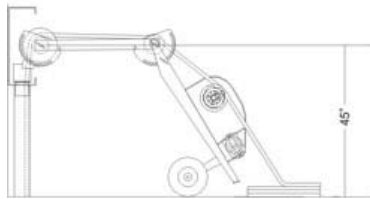
### STANDARD PULLING POSITIONS:



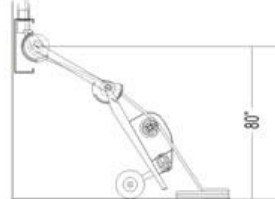
**TYPICAL STORAGE AND TRANSPORTATION POSITION:**  
FOLD UPPER-ARM FRAME AS SHOWN AND LOCK INTO PLACE. UNIT CAN BE TILTED AND HELD BY SMALL CROSS-MEMBER FOR EASE OF TRANSPORTATION.



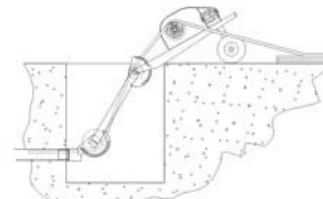
**TYPICAL FLOOR PULL:**  
UPPER-ARM FRAME IS APPROXIMATELY 120 DEGREES TO BASE FRAME. ROPE RUNS OVER SHEAVES.



**TYPICAL PANEL PULL:**  
UNIT IS RESTED ON BACK FRAME AND ROPE GOES OVER SHEAVES.



**TYPICAL UPPER PANEL PULL:**  
UNIT IS RESTED ON BACK FRAME AND ROPE GOES UNDER FIRST AND OVER SECOND SHEAVE.



**TYPICAL VAULT PULL:**  
UNIT IS ROTATE FORWARD INTO VAULT AND RESTED ON BACK FRAME. ROPE GOES UNDER FIRST SHEAVE AND OVER SECOND SHEAVE.

### WARNING

**Always read instructions before operating puller**

**Always inspect puller before operating**

Before operating puller follow these safety precautions:

1. Inspect cable puller, power lines and surrounding area.
2. Clean-up cluttered work area before setting-up puller.
3. Inspect cable pulling rope. Rope and eyelet must be in excellent condition. Use high quality, high grade. Low stretch cable pulling rope.

HIS Business Manufacturing Company  
Tel (619) 447-0009 (800) 292-9831 Fax (619) 447-4695  
Website [www.hizbiz.com](http://www.hizbiz.com) Email [sales@hizbiz.com](mailto:sales@hizbiz.com)



# HIS CABLE PULLER

## MODEL H6000 SPCL & PG&E

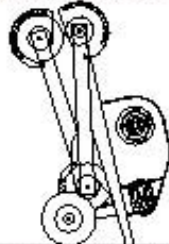
**HIS Cable Puller** is uniquely designed to help make cable installation easier and less costly. The "One-Man Operation" concept means that one person can transport easily, set up quickly and pull cable efficiently.

**His Cable Puller** is designed for productivity and safety. Always understand the function of HIS Cable Puller before operating. Only experienced journeymen should operate cable pulling equipment.

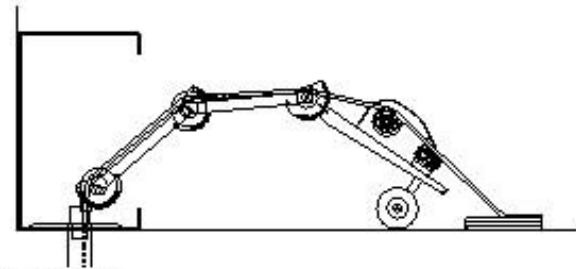
### FEATURES OF HIS PULLER

- Slip type Capstan
- Two-speed drive motor
- Self-contained 3 section frame with wheels and sheaves
- Conduit adapters & yoke
- Pulling capacities: High speed: 2500 lbs.,  
Low speed: 6500 lbs.

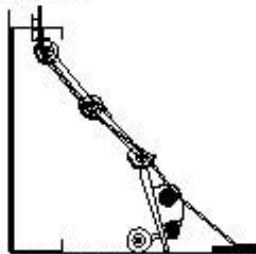
### STANDARD PULLING POSITIONS:



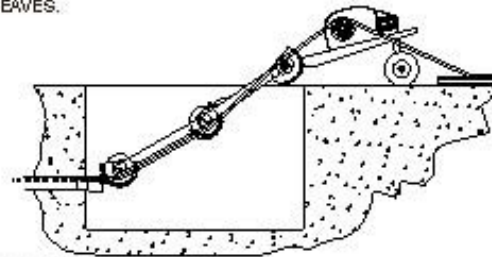
TYPICAL TRANSPORTATION AND STORAGE POSITION:  
FOLD UP PER AND MID-ARM FRAMES AS SHOWN  
AND LOCK INTO PLACE.



TYPICAL FLOOR PULL:  
FRAMES ARE APPROXIMATELY 120 DEGREES TO EACH OTHER. ROPE RUNS  
OVER SHEAVES.



TYPICAL UPWARD PANEL PULL:  
ROPE DEFLECT UNDER CENTER SHEAVE FOR STABILITY.



TYPICAL VAULT / HANDHOLE PULL:  
CONNECT TO CONDUIT EITHER HORIZONTALLY OR VERTICALLY. WITH  
CONDUIT ADAPTER IN THE HORIZONTAL POSITION, ROPE RUNS UNDER FAR  
SHEAVE AND OVER REMAINING SHEAVES. WITH CONDUIT ADAPTER IN  
THE VERTICAL POSITION, ROPE RUNS OVER ALL SHEAVES.

### **WARNING**

**Always read instructions before operating puller**

**Always inspect puller before operating**

**Before operating puller follow these safety precautions:**

1. Inspect cable puller, power lines and surrounding area.
2. Clean-up cluttered work area before setting-up puller.
3. Inspect cable pulling rope. Rope and eyelet must be in excellent condition. Use high quality, high grade. Low stretch cable pulling rope.

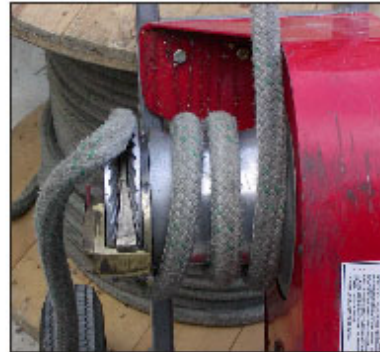
HIS Business Manufacturing Company  
Tel: (619) 447-0009 (800) 292-6631 Fax: (619) 447-4695  
Website: [www.hisbiz.com](http://www.hisbiz.com) Email: [sales@hisbiz.com](mailto:sales@hisbiz.com)



# Set-Up and Use Instructions:



1. Select proper size conduit adapter for duct or conduit. Check fit.
2. Insert conduit adapter into pulling yoke. Tighten thumbcrew.
3. Thread pull-rope through conduit adapter and pull yoke.
4. Insert conduit adapter and yoke into conduit or duct.
5. Position cable puller and adjust frame into proper pulling position. Rope should thread under and/or over sheaves as required. See diagrams. As rope passes over sheave at an angle, it will help hold the puller down, set puller (EndSheave Axle) into yoke, which is in conduit or



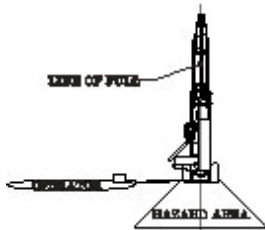
6. Wrap rope around capstan, in clockwise rotation, several times. Each successive wrap reduces tailing tension and increases pulling capacity. Feed the last wrap through the self-aligning device on the capstan.



7. Before turning puller on check power supply. Recommended minimum of 3500 watts. Second check locking pins, rope sheaves, and position of puller. Note: standard mole does not have foot switch or



8. Set pulling speed. Start pull in low speed. Test stability of puller set-up. Turn puller toggle-switch on. This will make the capstan turn and start pulling cable. Check stability of puller with low pulling load. Make adjustments to puller set-up alignment and security as needed. Light cable can be pulled in high-speed. As pulling load increases, pulling speed will reduce. Note: When pulling speed slows due to too much load, it is recommended to switch to low speed to protect drive



Operator should stand off to the side of puller at approximately 45 degree angle to the line of pull. Stay clear of

## CAUTION

1. Never stand on or near the coiled pulling ropes it lays on the ground.
2. ALWAYS PAY CLOSE ATTENTION TO CABLE PULLING. NEVER LET ANYONE OR ANYTHING DISTRACT OPERATION, UNLESS AN EMERGENCY SITUATION OCCURS.
3. THINK SAFETY, SAFETY, SAFETY
4. Never use in water or in dangerous environments.



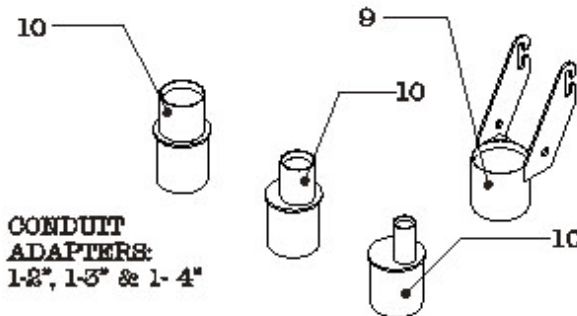
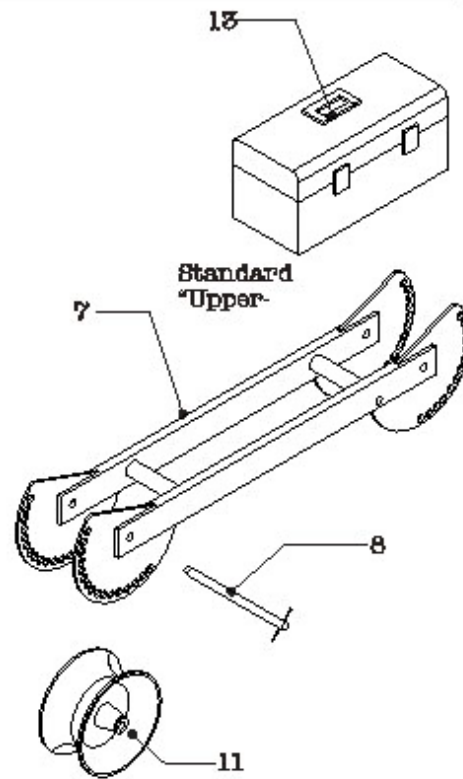
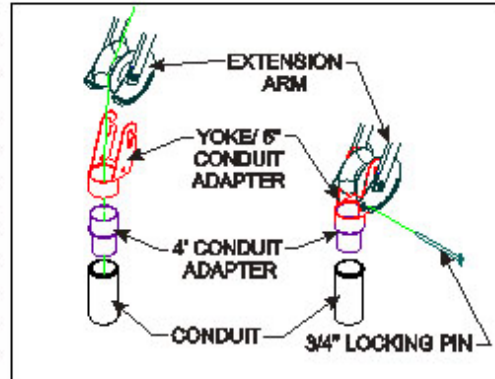
HIS Business Manufacturing Company  
Tel (619) 447-0009 (SOO) 898-9831 Fax (619)  
447-4698

# HIS CABLE PULLER

## PARTS LIST

ITEM NO.	PART NO.	DESCRIPTION	QTY
<b>FOR MODELS H8000 &amp; H8000-DLX</b>			
1	82-04	BASE FRAME	1
2	64-03	MOTOR/CAPSTAN DRIVE HOUSING	1
3	61-04	2 SPEED MOTOR	1
4	82-15	LOCKING AXLE SHAFTS	2
5	64-02	CAPSTAN SELF-LOCKING	1
6	82-05	SHEAVE HS-6 X 6 3/4"	1
7	82-08	FRAME EXTENSION	1
8	82-25	LOCKING AXLE SHAFT	1
9	82-22	6" YOKE ADAPTER COMBINATION	1
10	82-06	CONDUIT ADAPTERS	1 SET
11	82-08	SHEAVE HS-10 X 5 X 3/4"	1
12	82-04	WHEEL - 10" X 4" 5/8"	2
13	82-29	TOOL BOX	1
<b>FOR MODEL H8000 DLX ONLY*</b>			
14	6K-FS	FOOT CONTROL W/ GUARD	1
15	6K-TNS	AMP TYPE TENSIO METER	1
<b>FOR MODEL H8000 6PCL ONLY**</b>			
4	82-15	LOCKING AXLE SHAFTS	2
16	82-03SPCL	SPECIAL MID-SECTION FRAME	1
17	64-01	CAPSTAN - STD (NON SELF-TAILING)	1
11	82-06	SHEAVE HS-10 X 6 X 3/4"	1
13	82-29	TOOL BOX	1
14	6K-FS	FOOT CONTROL W/ GUARD	1
15	6K-TNS	AMP TYPE TENSIO METER	1

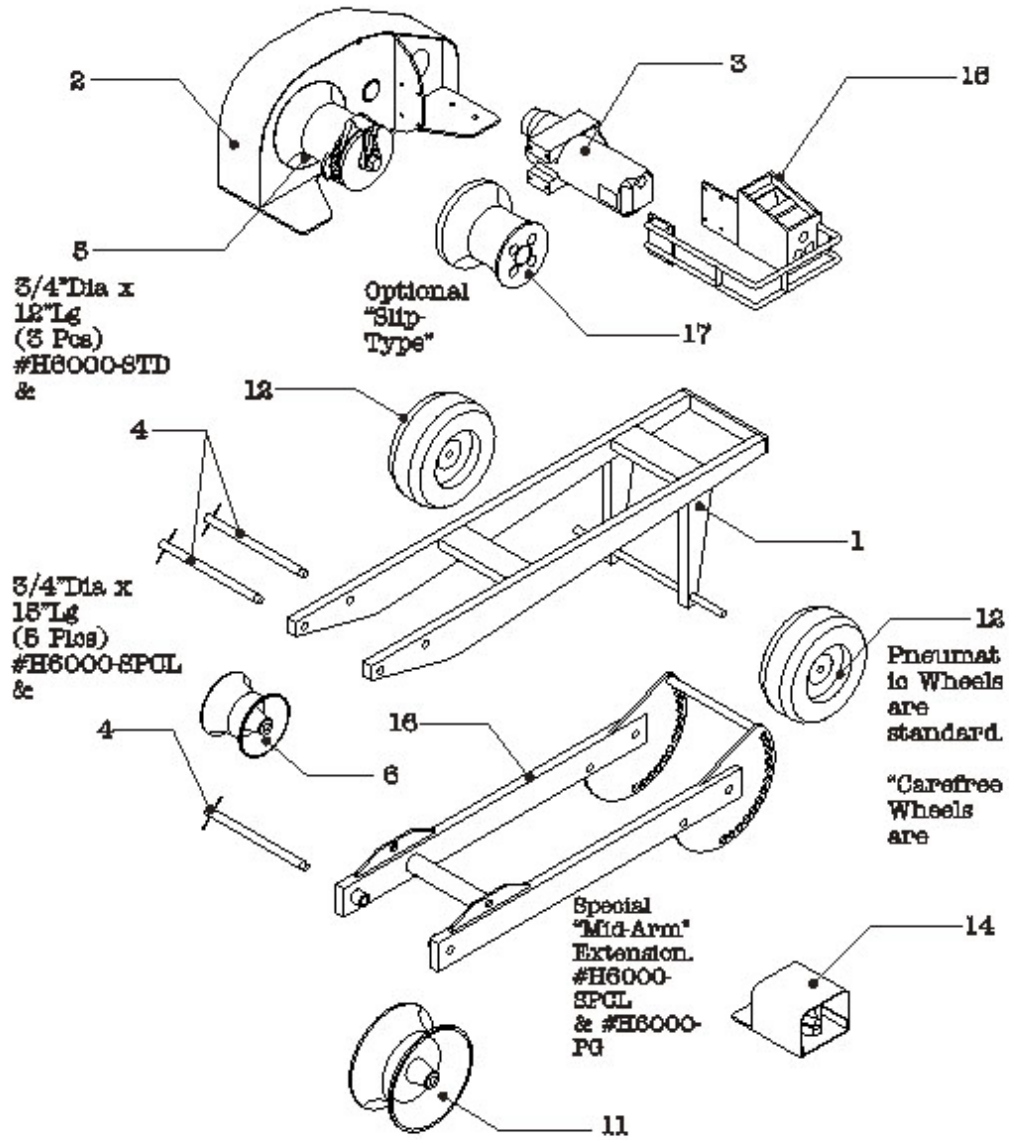
\*MODEL H8000DLX INCLUDES ALL ITEMS IN H8000 STANDARD MODEL  
 \*\*MODEL H8000 6PCL INCLUDES ALL ITEMS IN H8000 EXCEPT ITEM #6



HIS Business Manufacturing Company  
 Tel (619) 447-0009 (800) 292-9831 Fax (619) 447-4695

NOTE:

# H6000 Parts List:



HIS Business Manufacturing Company  
Tel (619) 447-0009 (800) 292-9831 Fax (619)  
447-4695

# Warranty

---

***Congratulations*** on your selection of the ***HIS Cable Puller***. This completely self-contained, portable unit is designed to give you long, economical, trouble-free service when used properly. Please read ***User's Guide*** before operating the unit.

**HIS Business, Mfg. Co.**, warrants to purchaser of ***HIS Cable Puller*** that if any assembly part thereof (with exception of Drive motor) in the judgment of manufacturer is proven to be defective in material or workmanship within one (1) year on original purchase date, such defects will be repaired or replaced (at manufacturer's option) free of charge for parts and labor. Drive motor is warranted separately by manufacturer.

notes:

